

PHCG: Optimizing Simulink Code Generation for Embedded System with SIMD Instructions

Zhuo Su, Dongyan Wang, Zehong Yu, Yixiao Yang✉, Yu Jiang✉, Rui Wang, Wanli Chang, Wen Li, Aiguo Cui and Jianguang Sun

Abstract—Simulink is widely used for the model-driven design of embedded systems. It is able to generate optimized embedded control software code through expression folding, variable reuse, etc. However, for some commonly used computing-sensitive models, such as the models for signal processing applications, the efficiency of the generated code is still limited.

In this paper, we propose PHCG, an optimized code generator for the Simulink model with SIMD instruction synthesis. It will select the optimal implementations for intensive computing actors based on adaptively pre-calculation of the input scales, and synthesize the appropriate SIMD instructions for batch computing actors based on the iterative dataflow graph mapping. In addition, actors of the same type that can be executed in parallel can be combined into batch computing actors as much as possible by merging isomorphic subgraphs. We implemented and evaluated its performance on benchmark Simulink models. Compared to the built-in Simulink Coder and the most recent DFSynth, the code generated by PHCG achieves an improvement of 38.9%-92.9% and 41.2%-76.8% in terms of execution time across different architectures and compilers, respectively.

Index Terms—Code generation, model-driven design, SIMD instruction, Simulink

I. INTRODUCTION

Simulink is one of the most widely used model-driven design tools and is increasingly used in embedded scenarios such as smart transportation, avionics and vehicles [2], [3], [4], [5]. It supports the behavior modeling, simulation, and code generation of embedded control software [6]. The automatic code generation releases the developers from hard-work coding, but the efficiency of the generated code is hard to ensure and may affect the performance and the throughput of the whole system [7], [5].

For optimization, expression folding and variable reuse are mainly used in Simulink Coder [8] to generate more compact code. Recently, DFSynth [9] optimizes the code generation of Simulink models with complex branching logic.

Z. Su, Z. Yu, Y. Jiang and J. Sun are with the KLISS, BNRist, School of Software, Tsinghua University, Beijing 100084, China (e-mail: suzcpp@gmail.com).

D. Wang is with the Information Technology Center, Renmin University of China, Beijing 100872, China (e-mail: wdy@ruc.edu.cn).

Y. Yang and R. Wang are with the Information Engineering College, Capital Normal University, Beijing 100048, China (e-mail: yangyixiao@163.com).

Wanli Chang is with the College of Computer Science and Electronic Engineering, Hunan University, Changsha 410082, China. (email: wanli.chang.rts@gmail.com).

W. Li and A. Cui are with the HUAWEI Technologies, Co. LTD., Shanghai 200120, China (e-mail: coco.liwen@huawei.com).

Yu Jiang and Yixiao Yang are the corresponding authors.

This paper is an extended version of a conference paper [1].

It transforms the branch logic to control flow code logic based on semantics analysis. Although they perform well in many cases, the efficiency is still limited for models that contain intensive computing actors (e.g. *fast Fourier transform*), batch computing actors (e.g. *batch Add*) and parallelizable actors.

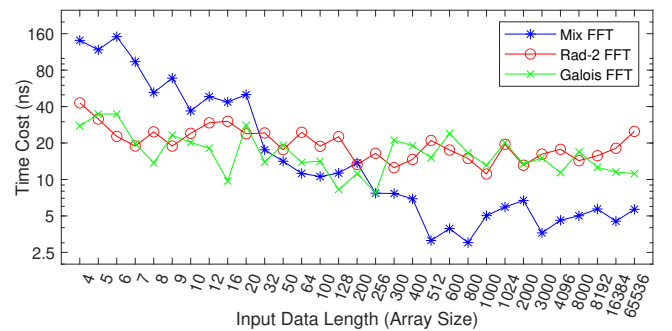


Fig. 1. The time cost of different implementations of FFT intensive computing actor on different input data lengths.

For the intensive computing actors, which usually take batch data as input to perform complex calculations, the tools such as Simulink Coder and DFSynth will generate a generic function for computation. But in fact, for an intensive computing actor, there are many different implementations, and their efficiency varies at the different input scales [10], [11]. Take *FFT(Fast Fourier Transform)*¹ as an example. As shown in Figure 1, we can see that no one implementation can always perform better than the others for all input data lengths. For example, Mix-FFT performs best on large input-scales, but performs worse on small input-scales. When generating code, the input and output scales of the actors in different models are uncertain. So we should dynamically select the more appropriate implementation codes based on the model information to achieve optimal efficiency.

For the batch computing actors, which take an array as input and output, and each element of the output array is calculated from its corresponding input element with the same array index, existing tools will generate repeated code segments or function loops to accomplish the task. For example, Simulink Coder uses the method shown in Figure 2 to generate code. But if the SIMD (Single Instruction Multiple Data) instructions are used, only two operations are required, which are `vmlaq_f32`

¹Mix FFT is obtained from the website: <http://www.corix.dk/Mix-FFT/mix-fft.html>, Rad-2 FFT is a Radix-2 division FFT implementation, and Galois FFT is obtained from the website: <https://hackage.haskell.org/package/galois-fft-0.1.0>

(vector multiplication and addition) and *vrecpsq_f32* (vector reciprocal) [12], [13]. Making full use of the compound SIMD instructions of the processor can effectively improve the running speed of the generated code [14]. For example, the *vhadd* instruction in ARM architecture adds two vector integers and then right shifts the addition result by one bit. When the composition of batch actors is complex in the model, we should select the appropriate compositions of SIMD instructions for vector acceleration.

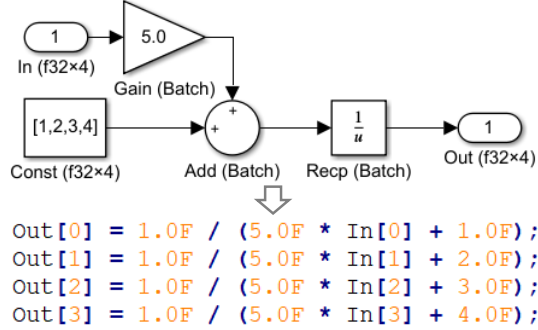


Fig. 2. A sample model with batch computing actors and the corresponding code generated by Simulink Coder. Each computing actor in the model has four batches of floating-point input and output data. So the code contains four multiplications, four additions and four reciprocal.

For the parallelizable actors, which are multiple actors of the same type in the model and have no data dependencies on each other. Base on the traditional code generation method, those actors will be translated separately into their own piece of computation code [6], [9], [15], [16], [17], [18], [19], [20]. If these parallelizable actors can be combined into batch computing actors, we can better generate SIMD instructions to improve the efficiency of the generated code. For example, the model on the left in Figure 3 needs to perform two additions, two left shifts, four subtractions and four multiplications. However, after actor parallelization for the model on the right, only four calculations are required, one batch addition, one batch left shift, one batch subtraction and one batch multiplication. Once the model is optimized for actor parallelization, the corresponding SIMD instructions can be generated by code synthesis engine more easily.

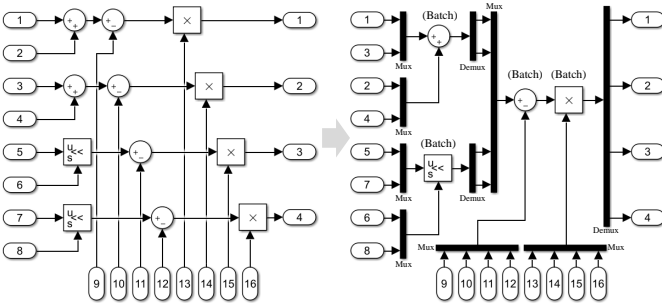


Fig. 3. An example of actor parallelization. The model on the left is an original computing model, and the right is the model after actor parallelization. The black linear shaped actors are the additional data merging actors (Combine the elements from inports into an array for output, Mux actor in Simulink) and data splitting actors (Split the array from inport into separate elements for output, Demux actor in Simulink) introduced by actor parallelization process.

In this paper, we propose PHCG to optimize the code generation of the Simulink models with SIMD instruction synthesis. First, the basic arithmetic actors which can be executed in parallel need to be combined as batch computing actors. Then, the intensive computing actors and batch computing actors will be classified for code generation. After that, for the intensive computing actors, PHCG will choose the optimal implementation to generate code. For batch computing actors, PHCG will generate a group of SIMD instructions.

We implemented and evaluated PHCG on benchmark Simulink models, which also contain intensive computing actors, batch computing actors. The results show that PHCG achieves excellent performance. Compared with the built-in Simulink Coder and the most recent DFsynth [9], the code generated by PHCG achieves an improvement of 38.9%-92.9% and 41.2%-76.8% in terms of execution time across different architectures and compilers, respectively. Not only that, but comparative experiments in terms of lines of code, memory usage of program and the time of code generation also illustrate the effectiveness of PHCG.

II. RELATED WORK

A. Model-driven Design

Model-driven design is a widely used software development method for embedded scenarios. It mainly consists of three components: behavior modeling, simulation and code generation [5], [21], [3], [2], [22], [23]. Behavior modeling is used to construct the formal model with text or graphics according to the user requirement; Simulation is used for debugging and functional correctness verification of the model. Code generation is the key step to translate the model into code for deployment on embedded devices. There are many design tools, such as Ptolemy-II, Tsmart, Polychrony in academic [15], [24], [16], [25], and Simulink, SCADE, DaVinci Developer in industry [6], [17], [26]. Among them, Simulink developed by MathWorks is the most popular for its powerful model simulation and code generation capabilities. It provides a rich library of components to support the design of systems in multiple areas of industry. Moreover, the combination of data flow semantics and state flow semantics gives it a strong model representation capability.

B. Data flow model

Data flow model is a kind of computation graph model which is composed of actors, ports, and data connections [27], [19]. Where the actor represents a minimal computation unit and its computation rules are usually determined by the type of itself. For example, the Add actor is used to perform addition operations. Ports are divided into inports and outports for receiving data and sending data. Ports can be attached to actors to describe their own inputs and outputs, or they can exist individually in the model to describe the external inputs and outputs of the entire computation graph. The data connection is a channel for data transfer to represent the flow of data. The source of the data connection can be either an inport of the model or an outport of an actor. The destination of the data connection can be either an outport of the model or an inport

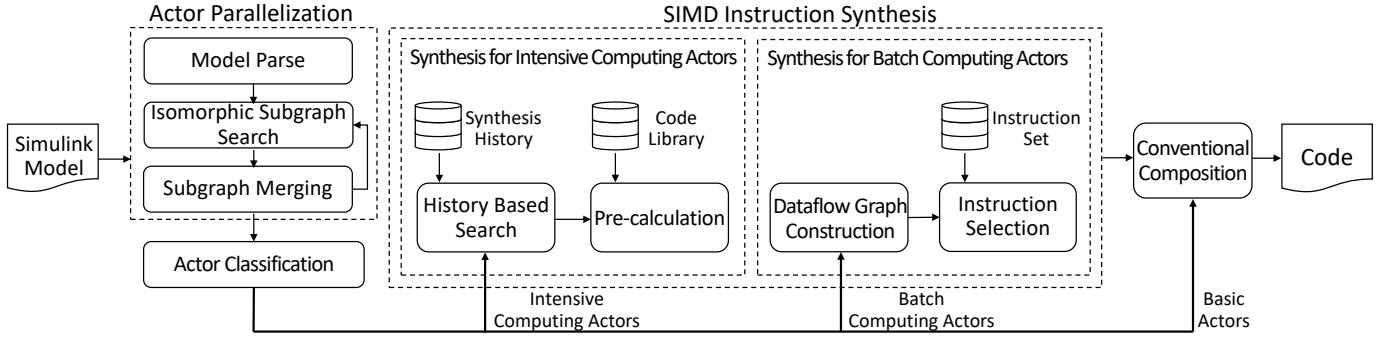


Fig. 4. Overview of PHCG. The intensive computing actors and batch computing actors in the model are classified for code synthesis after parsing the model. Then each intensive computing actor is translated into an optimal implementation which is suitable for the actor. Batch computing actors are integrated into a dataflow graph and synthesised into SIMD instructions.

of an actor. The models in Figure 2 and Figure 3 are data flow models of Simulink. In these models, the directed lines are the data connections that indicating the flow of data. In particular, the batch computing actors that is focused of this paper are marked with “Batch” in the figure.

C. Code Generation

Code generation plays an important role because it will convert the constructed model into code deployed in real embedded devices [6], [15], [28], [29]. Most code generators perform the following steps to generate code [30]: ① Model parse transforms model file into structured actor information; ② Schedule analysis obtains the scheduling relationship among model actors; ③ Code synthesis generates fire code for each actor; ④ Code composition integrates the fire code of each actor into the output code according to the schedule. For Simulink, the built-in Simulink Coder [8] works very well and it supports efficient code generation for different architectures and compilers with optimizations such as expression folding and output variable reuse. There are also a lot of academic works focusing on code generation [9], [18], [19], [31], [32]. DFSynth [9] is the most-recent research work for code generation of Simulink models. Based on schedule analysis and branch information marking, it supports well-structured code generation for complex branch logic.

D. Main Difference

The main difference between PHCG and those existing generators is that PHCG is able to generate more optimal implementation with SIMD instruction synthesis. For the basic arithmetic actors that can be executed in parallel, it will combine them into batch computing actors to generate SIMD instructions; For those intensive computing actors, it will determine the choice of implementation based on the pre-calculation of the input scales adaptively; For those batch computing actors, it will determine the proper SIMD instructions set according to the iterative dataflow graph mapping.

III. PHCG DESIGN

PHCG takes the Simulink model as input and generates efficient and deployable code for embedded devices as output.

It mainly consists of three components: *Actor Parallelization*, *Actor Classification* and *SIMD Instruction Synthesis*, as demonstrated in Figure 4. First, the Simulink model file needs to be analyzed by the model parser as a directed calculation graph. Then the calculation graph will be parallelized at the actor level through isomorphic subgraph search and subgraph merging, respectively. After that, the intensive computing actors, batch computing actors and remainder basic actors will be classified and dispatched for instruction synthesis. Next, those actors are synthesized in different ways accordingly. For intensive computing actors, PHCG considers the actor type and the input scale to select the suitable and optimal implementation code. For example, the *FFT* (Fast Fourier Transform) actor in Figure 1 with 1024 floating point data as input will be translated into the Radix-4 butterfly *FFT* implementation code to adapt the input data scale. For batch computing actors, PHCG converts them into a dataflow graph and iteratively generates the optimal SIMD instructions with graph mapping. For instance, the composition of a *4-batch Add* actor and a *4-batch Multiply* actor in Figure 2 will be translated into a *vmadd* instruction (batch multiply and add instruction) instead of four *add* instructions and four *mul* instructions. For remainder basic actors and the code snippets composition, the conventional translation method of the built-in Simulink Coder will be used.

A. Actor Parallelization

For a given Simulink model, the first step is to parse the model into structured actors, connections and other model elements in memory. Then the actors and the connections will be represented as a directed dataflow graph for further analysis. For generating more SIMD instructions at the *SIMD instruction synthesis* step, the basic arithmetic actors need to be combined into batch computing actors as more as possible. An example of actor parallelization is shown in Figure 3. In this example model, four Add actors, four Sub actors, two Mul actors and two Shl actors are merged into batch computing actors corresponding to their types, respectively. Table I demonstrates the most frequently used basic arithmetic actors in Simulink model libraries [6]. The *Actor Parallelization* process is mainly implemented by two algorithms, the isomorphic subgraph search algorithm which is used to find

computing subgraphs with the same topology in the directed dataflow graph and the subgraph merging algorithm which is used to merge subgraphs with the same topology. This process is iterative, it finds the largest isomorphic subgraph to merge each time until no isomorphic subgraph is found. Choosing the largest isomorphic subgraph for merging each time can increase the parallelism of the model as much as possible. If there are multiple largest isomorphic subgraphs of the same size, just select one at random and the rest isomorphic subgraphs will be output in later iterations.

TABLE I
MOST FREQUENTLY USED BASIC ARITHMETIC ACTORS IN SIMULINK
MODEL LIBRARIES.

Type	Description
Add/Sub/Mul/Div	Add, Subtract, Multiply, Divide
Shr/Shl	Right shift, Left shift
BitNot/And/Or/Xor	Bit-wise Not/And/Or/Xor
Min/Max	Minimum, Maximum
Abs/Abd	Absolute, Absolute difference
Recp/Sqrt	Reciprocal, Square Root

1) *Isomorphic subgraph search*: A prerequisite for some subgraphs to be merged is that they must be isomorphic. An isomorphic subgraph is composed of two or more subgraphs whose actor types and connectivity relationships between actors are the same. To explore more parallelism between actors, we need to find as large isomorphic subgraphs as possible. The algorithm of the largest isomorphic subgraph search is shown below in Algorithm 1. An example of isomorphic subgraph search with four Sub actors as the initial isomorphic subgraph (also called seed) is shown in Figure 5.

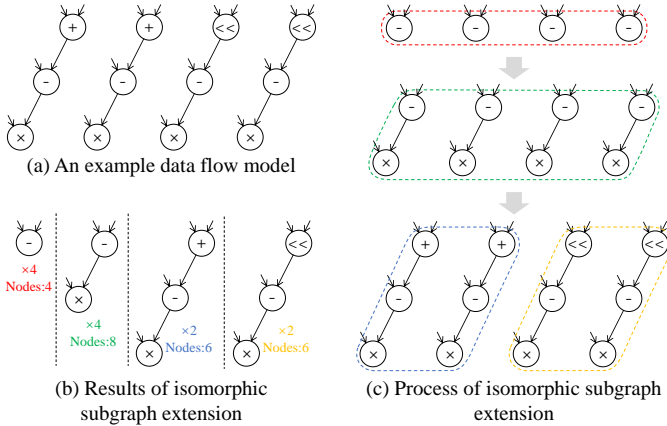


Fig. 5. An example of isomorphic subgraph search. Subfigure (a) is an example data flow graph which corresponds to the model in Figure 3. Subfigure (b) shows all searched isomorphic subgraph based on Sub node. The largest isomorphic subgraph is Sub-Mul graph, and it contains eight nodes. Subfigure (c) is an illustration of the extension process.

In algorithm 1, the actors which are supported to merge are classified by their type, as shown in lines 1-4. The actors with the same type will be used as the seed and will be iteratively extended later. In lines 5-15, all isomorphic subgraph extended from the seeds will be found and stored into a list variable named *isoGraphList*. The process of obtaining all isomorphic subgraphs is carried out separately according to

the actor types of seeds. It means that all supported actors will be used as initial seeds for subgraph extension. For example, all actors with Add type will be considered as a seed for subgraph extension. In line 7, each actor with same type needs to be converted from a single actor node into a directed graph format. Then, a queue of extensible isomorphic subgraphs named *extIsoGraphQ* is used to extend subgraphs iteratively until it becomes empty, as shown in lines 8-11. For each isomorphic subgraph in *extIsoGraphQ* is a candidate largest isomorphic subgraph and it will be added into *isoGraphList* in line 12. Line 13 attempts to extend a actor node on an isomorphic subgraph in the queue. The *extendOnce* function will output all possible subgraphs that extend one node, and these output subgraphs are not contained in each other. This means that all isomorphic subgraphs will be explored without omission. The extend result will be add into the queue for further extension, as shown in lines 14-15. Finally, in lines 16-24, the largest isomorphic subgraph which has the maximum number of actors will be returned. Especially, there are no data dependencies between all subgraphs contained in the returned isomorphic subgraph. This is because only then these subgraphs can be executed in parallel. The dependencies of these subgraphs are analyzed from the data flow of the model and are represented as an undirected graph, as shown in line 19. In this undirected graph, each node represents a subgraph in the isomorphic subgraph, and each edge indicates that the two subgraphs do not have data dependencies on each other. To obtain the maximum number of subgraphs that can be executed in parallel, we use the maximum clique algorithm [33], [34] to obtain the largest isomorphic subgraphs without dependencies, as shown in lines 20-21. In our design, the Bron-Kerbosch algorithm is used to solve the maximum clique problem [35]. As shown in Figure 5.(b), the largest isomorphic subgraph is Sub-Mul graph, it contain four isomorphic subgraphs with a total of eight nodes.

It is important to note that the function named *extendOnce* in line 13. Figure 5.(c) shows the execution of *extendOnce* function twice. For one extension of the isomorphic subgraph, the function extends each subgraph in the isomorphic subgraph with a node of the same position and the same type, or as many subgraphs as possible if they cannot all be extended with an identical node. That is, the subgraph extension uses a maximum priority strategy. As shown in Figure 5.(c), each Sub node (graph) can be extension with an Mul node, which is located on the lower left side of the Sub node. As for the nodes on the upper right of the Sub node, it is not possible to extend all of them, because they are of different types, two are Add nodes and two are Shl nodes. Once they cannot all be extended with an identical node, we need to use fewer subgraphs for the extension. This may result in multiple extensions, and the resulting isomorphic subgraphs cannot be further extended from each other. This ensures the completeness of the extended results. Performing a subgraph search based on one type of actor may lead to duplication. For example, subgraph extension based on the four Mul nodes in Figure 5.(a) also gives the same results as shown in Figure 5.(b). For these duplicate searches we can check the already obtained isomorphic subgraphs to reduce the search space.

Algorithm 1: The largest isomorphic subgraph search

```

Input: Graph: The directed dataflow graph of a given model
Input: TypeSet: All supported types of batch arithmetic actors
Output: LargestIsoGraph: The largest isomorphic subgraph
1 actorMap = {} // A map structure, key: actor type, value: actor list
   // eg: {Add:{A1, A2}, Sub:{A3, A4, A5}}
2 for actor in Graph do
3   if actor.Type in TypeSet then
4     actorMap[actor.Type].add(actor)
5 isoGraphList = {} // A list of found isomorphic subgraph
6 for key, value in actorMap do
7   isoGraphSeed = toGraph(value)
8   extIsoGraphQ = {} // A queue of extensible isoGraph
9   extIsoGraphQ.add(isoGraphSeed)
10  while not extIsoGraphQ.empty() do
11    curIsoGraph = extIsoGraphQ.pop()
12    isoGraphList.add(curIsoGraph)
13    isoGraphExtedList = extendOnce(curIsoGraph)
       // Extend one actor for each subgraph in curIsoGraph
14    if not isoGraphExtedList.empty() then
15      extIsoGraphQ.add(isoGraphExtedList)
16 LargestIsoGraph = NULL
17 maxActorCount = 0
18 for isoGraph in isoGraphList do
19   depGraph = getDependencyGraph(isoGraph, Graph)
       // Construct dependency graph between subgraphs
20   maxClique = getMaximumClique(depGraph)
       // Solve the Maximum Clique Problem
21   indGraph = getIndependentGraph(isoGraph, maxClique)
       // Obtain the maximal independent isomorphic subgraph
22   if indGraph.ActorCount < maxActorCount then
23     maxActorCount = indGraph.ActorCount
24     LargestIsoGraph = indGraph
25 return LargestIsoGraph

```

2) *Subgraph merging*: For the largest isomorphic subgraph from the Algorithm 1, we need to merge all the subgraphs in it. The process of merging is performed on the model according to the isomorphic subgraph. The essence of merging subgraphs is to transform those actors at corresponding positions in the isomorphic subgraph into a batch computing actor. But for the integrity of the model, the data merging actors and the data splitting actors need to be added to the model separately, as shown in Figure 3. The model on the right in Figure 3 is constructed after three times of subgraph merging algorithm. The first time, the Add and Sub actors are merged. The second time, the Mul actors are merged. The third time, the Shl actors are merged.

Algorithm 2 shows the detail of subgraph merging process. First, we need two list variables to store the external inports and outports of the isomorphic subgraph, in lines 2-3. The data for these inports come from actors outside the subgraph, and the data from these outports are output to actors outside the subgraph. Then, in lines 4-8, the external inports are collected by traversing the actors corresponding to the isomorphic subgraph and determining whether the data source is in the subgraph. We just need to traverse the actors corresponding to the first subgraph in isomorphic subgraph. It is because that other actors can be found through the isomorphic relations. The collecting of external outports is similar with inports, omitted in line 9. After that, actors for data merging and data splitting need to be created in the model.

For each inport in *extInportList*, a data merging actor will be created to combine individual data into an array, in line 11. It will connect to the original source of the inports with the same position in isomorphic subgraph and break the original connection between these inports and their source. In its place, a batch data connection is made, in line 15. Similar processing is used to create data splitting actors and related connections based on *extOutportList*, omitted in line 16. Finally, in lines 17-21, the actors corresponding to the first subgraph will be converted to batch computing actors and others will be deleted.

Algorithm 2: Subgraph merging

```

Input: Model: The Simulink model
Input: IsoGraph: Isomorphic Subgraph
Output: OptModel: The optimized Simulink model
1 OptModel = Model
2 extInportList = {} // Store the external inports of IsoGraph
3 extOutportList = {} // Store the external outports of IsoGraph
4 for node in IsoGraph[0] do
5   // "[0]" indicates the first subgraph in IsoGraph
6   for inport in node.actor do
7     if not inport.srcNode in IsoGraph[0] then
8       extInportList.add(inport)
9   ... // The outports are handled in the same way.
10 for inport in extInportList do
11   actor = createDataMergingActor(OptModel, IsoGraph.size)
12   for port in IsoGraph.getSamePosPort(inport) do
13     connect(port.src, actor)
14     disconnect(port.src, port)
15   connect(inport, actor)
16 ... // The outports are handled in the same way.
17 for node in IsoGraph do
18   if node in IsoGraph[0] then
19     OptModel.convertBatchActor(node.actor)
20   else
21     OptModel.delete(node.actor)
22 return OptModel

```

B. Actor Classification

Each actor will be translated into a snippet of code representing the execution logic of the actor semantic. In the conventional code generation method of Simulink Coder or DFSynth, actors are translated using actor templates that contain the fire code of each actor. In our work, the intensive computing actors and batch computing actors are separated by PHCG to synthesize more efficient code with SIMD instructions. The above two types of actors are identified and dispatched with the actor type and the input scale.

The intensive computing actor is the actor that takes an array as input, and the output of the actor is calculated from at least one pair of array elements. The input and output elements do not correspond one-to-one. For example, an actor whose type is *FFT* will be identified as an intensive computing actor, and Fast Fourier Transform is a complex calculation process with large-scale input. The batch computing actor is the actor that also takes an array as input and output, but different from the intensive computing actor, each element of the output array is calculated from its corresponding input element with the same array index. For example, if the type of an actor is *Multiply* and at least one of its input ports is an array, the

actor will be identified as a batch computing actor. Table II demonstrates the most frequently used intensive computing actors in Simulink model libraries [6], and the most frequently used batch computing actors are the same as in Table I.

TABLE II
MOST FREQUENTLY USED INTENSIVE COMPUTING ACTORS IN SIMULINK MODEL LIBRARIES.

Type	Description
MatMul	2x2, 3x3, 4x4 Matrix multiplication
MatInv	2x2, 3x3, 4x4 Matrix inversion
MatDet	2x2, 3x3, 4x4 Matrix determinant calculation
FFT/IFFT	1, 2-D (Inverse) Fast Fourier transform
DCT/IDCT	1, 2-D (Inverse) Discrete cosine transform
Conv	1, 2-D Convolution

C. SIMD Instruction Synthesis

The identified intensive computing actors and batch computing actors (Contains the actors resulting from the actor parallelization process.) are passed to the *SIMD Instruction Synthesis* module for optimal implementation generation.

1) *Code synthesis for intensive computing actors*: There are many efficient implementations with built-in SIMD instructions for an intensive computing actor, for example, the three implementations of *FFT* actor presented in Figure 1. But the performance of different implementations varies at different input scales. Hence, to generate more efficient code for deployment, it is necessary to consider the input scale of the actor adaptively. PHCG will perform pre-calculation to decide which implementation is the best for the corresponding input scale. For acceleration, it will also store the history implementation information for a quick search. The overall procedure is presented in Algorithm 3.

Before the pre-calculation, we will perform a preliminary and lightweight search based on the synthesis history information. It will traverse the implementation synthesis history and decide whether there is an existing index that matches the type and input size of the intensive computing actor, as presented in Lines 3-6. If there is a matched index, the corresponding implementation will be returned as the synthesized code for the current actor. If not, the code library will be loaded according to the computing actor type. The code library is a one-to-many implementation list and contains all different implementations for each specific actor.

Then, we will perform pre-calculation on these implementations contained in the library and compare their efficiency on the corresponding input scales. In line 9, a variable is defined to record the minimum cost of the best implementation. To measure the cost of each implementation, a piece of test input data is generated randomly according to the input size of the computing actor, as shown in line 10. In lines 11-14, each implementation in the list needs to be filtered by the input data type and size, because some special implementations only serve special data types and sizes. For example, the Radix-2 FFT implementation aims to speed up the FFT with the input size of 2^n . In line 14, the implementations that passed

Algorithm 3: Synthesis for intensive computing actors

Input: *ActorType*: Type of the intensive computing actor
Input: *DataType*: Data type of the actor's input
Input: *DataSize*: Data size of the input port
Output: *ImplBest*: The selected optimal implementation for the specific actor

```

1 SelectionHistory = loadSelectionHistory(ActorType)
2 ImplBest = NULL
3 for Selection in SelectionHistory do
4   if Selection.DataType == DataType and
     Selection.DataSize == DataSize then
5     ImplBest = Selection.Algorithm
6     return ImplBest
7 ImplList = loadCodeLibrary(ActorType)
8 ImplBest = ImplList.getGeneralImplementation()
9 MinCost = MAX
10 TestInput = generateTestInput(DataSize)
11 for ImplTest in ImplList do
12   if not ImplTest.canHandleDataType(DataType) or
     not ImplTest.canHandleDataSize(DataSize) then
13     continue
14   Cost = runImplementation(ImplTest, TestInput)
15   if Cost < MinCost then
16     ImplBest = ImplTest
17     MinCost = Cost
18 storeSelection(ActorType, DataType, DataSize, ImplBest)
19 return ImplBest

```

the filtering run with the piece of test data and return a cost value. If the cost is lower than the recorded cost, the best implementation will be replaced by the current one with minimum cost also being refreshed, as shown in lines 15-17. Finally, the best implementation for the specific actor with the current input type and size will be stored and returned.

2) *Code synthesis for batch computing actors*: The code synthesis for batch computing actors is based on the iterative dataflow graph mapping and mainly consists of two steps. The first step of dataflow graph construction is to collect the interconnected actors which have the same I/O scales and bit-width of data element, according to the connections among the identified batch computing actors. The second step of instruction selection is to generate the optimal SIMD instructions based on the iterative mapping on dataflow graphs. Figure 6.(a) and (b) illustrate a sample model and the corresponding directed dataflow graph. Some examples of SIMD instructions shown in Figure 6.(c) will be selected to map to the directed dataflow graph based on their own computing graph. To obtain higher efficiency, PHCG tries to give preference to map more complex SIMD instructions. The algorithm of SIMD instruction selection is shown in Algorithm 4.

The following describes the details of SIMD instruction selection. To find the largest instructions to map the largest subgraphs of the directed dataflow graph from top to down. The larger the instruction graph mapped, the higher the computation efficiency. First, we need to calculate the batch size and the batch count according to the size of the input data and the bit-width of the vector register. The batch size indicates how much data can be stored by the vector register and the batch count indicates how many batches of input data there are. If the batch count is less than 1, it means that the input data is not enough to completely fill the vector register

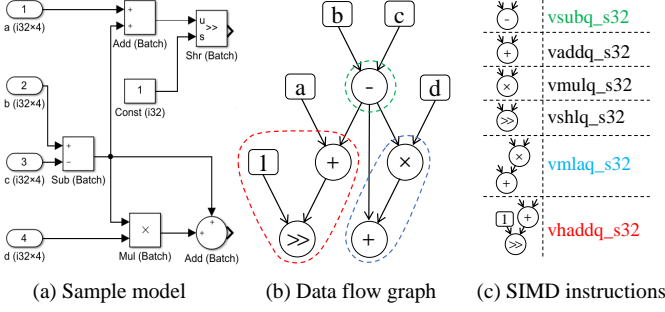


Fig. 6. SIMD instruction selection. (a) is a Simulink model with batch computing actors. (b) is a directed dataflow graph constructed from the Simulink model on the left. (c) shows some candidate SIMD instructions and their corresponding computing graphs. The SIMD instructions named *vsubq_s32*, *vmlaq_s32* and *vhaddq_s32* are selected for potential implementations of subgraphs in (b) with different color.

and the conventional synthesis method of Simulink will be called to translate the dataflow graph instead of the SIMD instruction selection, as shown in lines 1-4. A snippet of loop code is generated to perform batch calculation cyclically when the batch count is greater than or equal to 2, as shown in lines 5-8. Note that the loop starts with an index of offset, indicating that the length of the remaining data cannot fill the entire vector register. In line 9, the data preparation variable with SIMD data type is generated according to the external input of the dataflow graph. For example, one of the data preparation variable code of the dataflow graph in Figure 6.(b) is `int32x4_t a_batch = vld1q_s32(a)`.

Then the dataflow graph will be mapped part by part until it is completely mapped, as shown in lines 10-22. For a non-empty graph, the topmost and leftmost node will be extended to some subgraphs within the limits of the max graph depth and the max graph node count of the candidate SIMD instructions' computing graph, as shown in lines 12-13. For example, three subgraphs will be extended from the *Sub* node (subgraph) in Figure 6.(b), which are *Sub - Mul*, *Sub - Add* and *Sub*, respectively. To obtain higher efficiency, subgraphs with more computation cost will be tried to be matched first. For a subgraph, it must be a convex graph (The nodes of the graph do not indirectly depend on the results of its own nodes.) and its independence must be ensured (It does not depend on any variables that have not been generated), or the subgraph will be discarded, as shown in lines 15-16. In lines 17-19, the matching SIMD instruction will be searched among all candidate SIMD instructions according to the subgraph. If the search fails, the subgraph will be discarded too. Once the matching SIMD instruction is found, in line 20, the calculation code with SIMD will be added into the loop code. For example, the calculation code of the *Sub* subgraph is `int32x4_t Sub_batch = vsubq_s32(b_batch, c_batch)`. When the data source type does not match the input data type of the subgraph, a type conversion code with SIMD will be generated. Then the subgraph will be removed from the total dataflow graph to continue the algorithm. Finally, the remaining computation code has the same computation logic as the code inside the loop, and it will be added to the front of the loop code as needed. Listing 1 shows the

Algorithm 4: Synthesis for batch computing actors

```

Input: Graph: The directed dataflow graph of batch computing actors with same I/O scales and data bit width
Input: InsSet: All candidate SIMD instructions
Input: VectorWidth: The bit width of each vector register
Output: RetCode: The output code with SIMD instruction
1 BatchSize = VectorWidth / Graph.DataBitWidth
2 BatchCount = Graph.DataLen / BatchSize
3 if BatchCount > 1 then
4   return conventionalTranslate(Graph)
5 LoopCode =  $\emptyset$  // Main loop code for SIMD calculation
6 Offset = Graph.DataLen % BatchSize
7 if BatchCount  $\geq$  2 then
8   LoopCode.addLoop(Offset, Graph.DataLen, BatchSize)
   // e.g. for (i = offset; i < dataLen; i += batchSize) {...}
9 LoopCode.addDataLoadSIMDCodeAndVar(Graph)
   // e.g. int32x4_t a_batch = vld1q_s32(&a[i])
10 LastGraph = Graph
11 while LastGraph  $\neq$   $\emptyset$  do
12   Node = LastGraph.getTopLeftNode()
13   SubgraphSet = Node.extendGraphs()
   //Sort by the cost of subgraph
14   for Subgraph in SubgraphList do
15     if isNotConvexGraph(Subgraph) or
       isNotIndependent(Subgraph) then
16       continue
17     Ins = InsSet.getMatchInstruction(Subgraph)
18     if Ins == NULL then
19       continue
20     LoopCode.addCalculationSIMDCode(Subgraph, Ins)
       // e.g. int32x4_t c_batch = vsubq_s32(a_batch, b_batch)
21     LastGraph.removeNodes(Subgraph)
22     break
23 LoopCode.addDataStoreSIMDCode(Graph)
   // e.g. vst1q_s32(&a[i], a_batch)
24 RemainCode =  $\emptyset$  // Process the remaining data
25 if Offset  $\neq$  0 then
26   RemainCode = getRemainCalculationCode(LoopCode)
27 return RemainCode + LoopCode

```

SIMD instructions of the sample model in Figure 6 generated according to Algorithm 4.

```

1 int32x4_t a_batch = vld1q_s32(a); //Load data to vector register
2 int32x4_t b_batch = vld1q_s32(b);
3 int32x4_t c_batch = vld1q_s32(c);
4 int32x4_t d_batch = vld1q_s32(d);
5 int32x4_t Sub_batch = vsubq_s32(b_batch, c_batch); //Batch Sub
6 int32x4_t Shr_batch = vhaddq_s32(a_batch, Sub_batch);
7 int32x4_t Add_batch = vmlaq_s32(Sub_batch, Sub_batch, d_batch);
8 vst1q_s32(Shr_out, Shr_batch); // Store data to memory
9 vst1q_s32(Add_out, Add_batch);

```

Listing 1. The SIMD instructions of the sample model in Figure 6 generated according to Algorithm 4

D. Implementation

PHCG² is implemented in C++, with 28,386 lines of code. Unzip and Tinyxml libraries are used to parse the Simulink model. A model optimizer is implemented to parallelize the actors. A synthesis engine is implemented to translate intensive computing actors and batch computing actors to optimal implementations, respectively. Then conventional composition codes are implemented to synthesize the final deployable code.

²The implementation and the benchmark Simulink models are uploaded on the GitHub to facilitate the review: <https://github.com/CodeGenHCG/HCG>.

For the support of cross-architecture, the code library for intensive computing actors and the instruction set information for batch computing actors are extracted as external files. Especially for the instruction set information, the calculation graph and the code format of each SIMD instruction is defined as the following form: *Graph* : *Add*, *i32*, 4, I_1 , I_2 , O_1 ; *Code* : $O_1 = vaddq_s32(I_1, I_2)$; In this way, the SIMD instruction synthesizer just needs to replace the I/O variable for code generation on different architectures.

IV. EVALUATION

We evaluate the effectiveness of code generated by PHCG in terms of execution time against DFSynth and Simulink Coder. Besides, we also evaluate the effectiveness of PHCG on different processor architectures with the two most widely used C-Compilers, GCC and Clang. We conducted comparative experiments on the benchmark models of Simulink and DFSynth. FFT, DCT and Conv are models containing intensive computing actors, which are used for fast Fourier transform, discrete cosine transform and convolution for one-dimensional signal, respectively. HighPass, LowPass and FIR are models containing batch computing actors such as *batch Add*, *batch Sub* and *batch Mul*, which are used for high pass filtering, low pass filtering and finite impulse response filtering, respectively. HP(P), LP(P) and FIR(P) are manually converted from the previous three benchmark models respectively. The conversion method is to replace the batch computing actors with multiple actors that can be parallelized. The actor parallelization capability of PHCG can be evaluated by comparing the performance of the generated code before and after using the batch computing actors.

A. Effectiveness on Benchmark Models

The generated code of PHCG, Simulink and DFSynth are all presented in the GitHub repository. For the time efficiency of the generated code, they executed with the same number of 10,000 times in the same environment (Debian 10 x64, ARM Cortex A72, GCC). To avoid unfairness caused by advanced compiler optimizations, here we just enable the compiler's first-level optimization flag (-O1).

TABLE III
COMPARISON ON EXECUTION TIME

Model	Simulink	DFSynth	PHCG	PHCG Improvement	
				Simulink	DFSynth
FFT	0.459s	0.503s	0.183s	60.2%	63.7%
DCT	0.430s	0.451s	0.121s	71.9%	73.2%
Conv	0.591s	0.722s	0.178s	69.9%	75.4%
HighPass	0.447s	0.446s	0.262s	41.3%	41.2%
LowPass	0.369s	0.305s	0.164s	55.5%	46.1%
FIR	0.415s	0.551s	0.205s	50.6%	62.8%
HP(P)	0.448s	0.711s	0.197s	56.0%	72.3%
LP(P)	0.312s	0.464s	0.126s	59.6%	72.8%
FIR(P)	0.330s	0.463s	0.193s	41.4%	58.2%

Table III shows the average result of the execution time. In general, compared with the code generated by Simulink Coder and DFSynth, the code generated by PHCG decreases

the execution time by 41.3%-71.9% and 41.2%-75.4% respectively. These statistics above illustrate that PHCG can generate correct code that achieves higher performance.

The reason for less execution time of PHCG compared to DFSynth is that DFSynth cannot generate batch computation code for intensive and batch computing actors with SIMD instructions, much less for parallelizable actors. It is difficult to obtain better efficiency with DFSynth based on generic intensive computation functions and loop calculation codes. As for Simulink Coder, it supports some SIMD instructions but usually fails to identify some batch computing actors in models. For example, the model named FIR contains two connected batch computing actors, *batch Mul* ($i32*1024$) and *batch Add* ($i32*1024$), but no SIMD instruction is generated by Simulink Coder to accelerate the computing. Simulink Coder also generates generic functions for intensive computing actors. Same as DFSynth, Simulink Coder has no actor parallelization capability.

B. Effectiveness on Different Architectures

To verify the ability of cross-architecture support, we repeated the experiment mentioned in Section IV-A on Intel architecture (ArchLinux 5.14.16 x64, Intel i7-8700). Since the Intel processor and ARM embedded device we used exist a performance gap, the number of executions on Intel is 10x than ARM. To eliminate the impact of different compilers, we also conducted the experiment on the two most widely used C-Compilers (GCC 11.1.0 and Clang 12.0.1).

Each subfigure in Figure 7 shows the execution time of code generated by Simulink Coder, DFSynth and PHCG running on an ARM processor and Intel processor compiled with GCC and Clang. We can see that code generated by PHCG always performs better than that of Simulink Coder and DFSynth. For example, compared with Simulink Coder and DFSynth on Intel processor with GCC, PHCG decreases execution time by 76.5% and 67.6% on average respectively. The results in Figure 7.(b) are quite different from the others, especially for the batch computing models. This is because the code generated by Simulink Coder contains scattered Intel SIMD instructions (Some actors are not translated into composite SIMD instructions.), and GCC cannot organize these SIMD instructions together, which results in frequent data exchange between memory and vector registers. At this point, memory latency becomes the main performance bottleneck. In contrast, the SIMD instructions generated by PHCG are continuous, and the results of SIMD calculation are directly used by the next SIMD calculation without being written to the memory, which effectively avoids memory latency. Note that PHCG is not only useful on Intel and ARM, we can simply expand it to other architectures by replacing the corresponding SIMD instruction set in Algorithm 4.

C. Comparison on Other Important Aspects

To more fully evaluate our work, we also measured some other important indicators of the codes generated by different works. ① LoC (Lines of Code): It can reflect the simplicity of the code. Fewer lines of code means simpler code. For

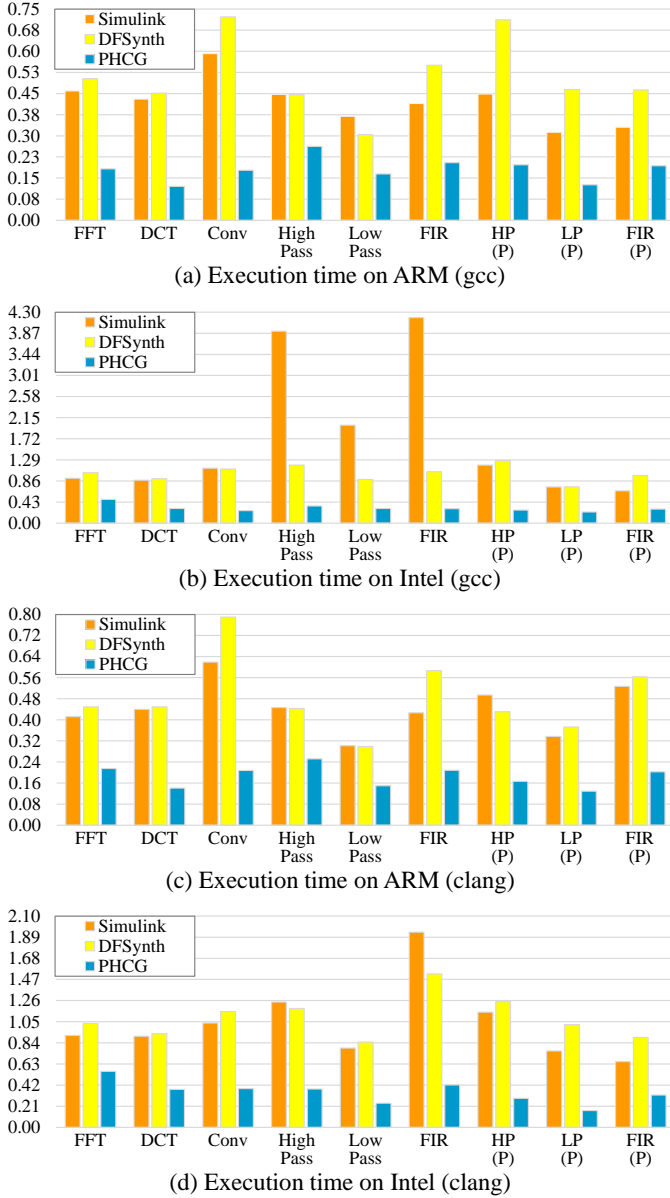


Fig. 7. The execution time of the six benchmark models on ARM and Intel with two different C-Compilers, GCC and Clang. X axis is the models and Y axis is the execution time(s).

fair comparison, all codes were formatted using the same indentation format (K&R style³). ② MUoP (Memory Usage of Program): This metric is important, especially on resource-constrained embedded devices. ③ ToCG (Time of Code Generation): It represents the ability of the code generator to handle more or more complex models. Table IV below shows the comparison on the above three indicators.

Evaluation on LoC (Lines of Code): For a fair evaluation, we counted the library part of each generated code separately. Because highly efficient code is usually more complex in terms of coding. For example, the FFT library generated by PHCG contains 858 lines of code. But in fact users are more concerned with the code that corresponds to the model logic rather than how the library is implemented. From Table IV, PHCG

TABLE IV
COMPARISON ON OTHER IMPORTANT ASPECTS

Model	Tool	LoC	MUoP (kB)	ToCG (s)
FFT	Simulink	184 + L:353	2640	1.58s
	DFSynth	45 + L:355	2632	< 0.01s
	PHCG	47 + L:858	2644	< 0.01s
DCT	Simulink	200 + L:434	2644	1.51s
	DFSynth	47 + L:448	2640	< 0.01s
	PHCG	47 + L:888	2652	< 0.01s
Conv	Simulink	205	2640	1.64s
	DFSynth	42 + L:27	2624	< 0.01s
	PHCG	42 + L:36	2624	< 0.01s
High Pass	Simulink	185	2624	1.41s
	DFSynth	70	2624	< 0.01s
	PHCG	66	2624	< 0.01s
Low Pass	Simulink	181	2624	1.51s
	DFSynth	60	2624	< 0.01s
	PHCG	58	2624	< 0.01s
FIR	Simulink	172	2632	1.39s
	DFSynth	51	2624	< 0.01s
	PHCG	53	2624	< 0.01s
HP(P)	Simulink	525	2628	1.56s
	DFSynth	833	2632	< 0.01s
	PHCG	66	2624	< 0.01s
LP(P)	Simulink	397	2628	1.32s
	DFSynth	520	2628	< 0.01s
	PHCG	58	2624	< 0.01s
FIR(P)	Simulink	296	2628	1.67s
	DFSynth	617	2628	< 0.01s
	PHCG	54	2624	< 0.01s

generates the shortest main logic code on most of the models. This means that users can more easily read, understand or reuse the generated code. It is particularly effective in reducing code when there are parallelizable actors in the model. This is because the actor parallelization process performed by PHCG essentially reduces the number of actors in the model. As for Simulink, it generates code with a lot of redundant data structure definitions and run-time environment configuration. Also in the Conv code generated by Simulink, the convolution algorithm is embedded in the model logic function, which makes the code logic difficult to understand. As for DFSynth, since it generates code with a similar structure as PHCG, it has about the same number of LoC as PHCG on models other than those with parallelizable actors.

Evaluation on MUoP (Memory Usage of Program): As shown in Table IV, all the codes require about the same amount of memory for execution, since they actually use almost the same number of variables and do not use any memory allocation functions such as *malloc*. Even though PHCG generates more complex and efficient library code for some models with intensive computing actors, it does not bring additional memory overhead. Besides, the gap in the total number of lines of code does not have a significant impact on the memory usage metrics.

Evaluation on ToCG (Time of Code Generation): Since both DFSynth and PHCG are lightweight code generators implemented in C++, they are fast from parsing the model to generating code in just a few dozen milliseconds. While Simulink takes a longer time to accomplish the code generation. So we

³https://en.wikipedia.org/wiki/Indentation_style#K&Rstyle

probed the behavior of Simulink during code generation using a program monitoring approach. The monitoring results show that Simulink uses a large number of temporary files to store information such as models and configurations needed for code generation, resulting in a lot of time spent reading and writing to the hard disk. It is worth mentioning that although PHCG uses pre-calculation to select the optimal implementation from the code library, it is able to generate code quickly for models with intensive computing actors because PHCG maintains a synthesis history to obtain the optimal solution faster.

D. Comparison with the Vectorization of Compiler

Because of the SIMD mechanism introduced by the processor, modern compilers also try to compile parallelizable code into SIMD instructions as much as possible [36], [37], [38], [39]. However, current compilers still have a great limitation when it comes to SIMD instruction selection for source code due to the complexity of code analysis [40], [41]. To explore whether the compiler can also achieve the same effect as PHCG, we conducted a comparison experiment on Intel with GCC compiler. We enabled the highest level optimization flag of the compiler (-O3) and also tried three cost models used for vectorization (-fvect-cost-model=unlimited, dynamic, cheap). The experiment results are shown in Table V.

TABLE V
THE EFFICIENCY IMPROVEMENT OF CODE GENERATED BY PHCG
COMPARED TO SIMULINK AND DFSYNTH

Model	Tool	unlimited	dynamic	cheap
FFT	Simulink	46.1%	42.3%	42.3%
	DFSynth	61.3%	43.1%	43.1%
DCT	Simulink	64.2%	64.7%	64.7%
	DFSynth	64.7%	64.2%	63.6%
Conv	Simulink	80.8%	80.8%	80.8%
	DFSynth	78.9%	79.2%	79.2%
HighPass	Simulink	53.8%	52.6%	53.8%
	DFSynth	40.0%	37.9%	40.0%
LowPass	Simulink	59.4%	59.4%	59.4%
	DFSynth	31.6%	27.8%	27.8%
FIR	Simulink	72.5%	72.8%	72.8%
	DFSynth	21.4%	21.4%	24.1%
HP(P)	Simulink	85.3%	83.6%	83.6%
	DFSynth	84.8%	83.6%	83.6%
LP(P)	Simulink	18.8%	18.8%	13.3%
	DFSynth	80.0%	80.0%	79.7%
FIR(P)	Simulink	48.0%	48.0%	50.0%
	DFSynth	53.6%	53.6%	53.6%

We can see that the compilers still have a lot of room for improvement in automatic vectorization, especially for the code that we artificially thought would be easy to automatically vectorize, that is, the code generated by Simulink and DFSynth for the models named HP(P), LP(P) and FIR(P). Simulink supports expression folding, so it generates code that looks similar to the code in Figure 2. While DFSynth does not support expression folding, its code looks like performing four Mul operations, then four Add operations, and finally four Div operations. However, only the code for LP(P) generated by Simulink can be vectorized better by compiler. Experiment results shows that although the compiler enable the highest

level optimization flag the code generated by PHCG can perform better result.

V. DISCUSSION

The extensibility of our work: Currently, PHCG mainly focuses on the Simulink model, but its optimizations can be customized to other models and actors easily, because PHCG only aims to optimize the implementation part of actors and does not affect other actions (e.g. composition part) in code generation. For example, to extend to the model of Ptolemy [15], only one more constraint is needed to be satisfied for dataflow graph construction in Algorithm 4, that is, the batch computing actors must have the same branch information. So, the actors on each branch can be ensured to be translated into code in the correct place. In addition, the optimizations of PHCG can work together with other code generators for more complex scenarios. For example, we can integrate the branch scheduling of DFSynth [9] into PHCG. Furthermore, the parallelization process of PHCG is mainly based on data flow graph, and these methods we proposed would be very suitable for program or compiler optimization if existing code could be represented as such data flow graphs. However, the conversion from code to the high-level data flow graph we need may be complex. The code is more flexible compared to the model because it has elements such as pointer, class object, loop statement, etc. So the extension of our work to program or compiler optimization will be our future work.

The complexity of isomorphic subgraph search: Searching for isomorphic subgraphs in directed graphs is indeed an NP-hard problem. However, the algorithm we purposed is more targeted to data flow graphs with computational node information, which makes the problem we faced much simplified. The main body of the largest isomorphic subgraph search is a BFS algorithm and the time complexity of extending one node at a time is $O(2^N)$ (N is the number of neighboring nodes of the current isomorphic subgraph.). Although it is still an NP-hard problem, it hardly reaches the worst case in practical scenarios. First, getting the initial subgraph by node type already decomposes the isomorphic subgraph search problem largely. Second, we have used the already found subgraphs to de-duplicate the subsequent search process. Third, for the subgraph extension process, we use the maximum extension first strategy, which generally takes only linear time to achieve the result of $O(2^N)$ problem in practical scenarios.

The capability of the parallelization strategy: The selection and merging of the largest isomorphic subgraph each time during actor parallelization is essentially a greedy algorithm. It is also difficult to know how to merge actors to obtain the highest efficiency of the generated code for the model, because it is affected by many aspects such as SIMD instruction synthesis, compiler optimization and processor execution. Therefore, this paper only presents a possible approach to parallelize actors. It finds the approximate optimal solution only at the model level using this greedy algorithm. For two largest isomorphic subgraphs or when the second largest graph is close to the largest one, it can be discussed in two cases: (1) If there is no any overlap between the two graphs, then

either one can be merged and the remaining one can be merged at the next iteration. This has no effect on the result of actor parallelization. (2) If there is an overlap between the two graphs, after selecting one of the largest subgraphs for merging, there may be some actors in the remaining part that cannot be parallelized. This may eventually affect the execution efficiency of the generated code, but since we have used SIMD instructions to significantly improve the performance, this effect is much smaller in comparison.

The limitation of SIMD instruction synthesis: Results demonstrate that for the Simulink models with more intensive and batch computing actors, we can achieve higher improvements. Nevertheless, when the model contains one or two batch computing actors, PHCG will still translate them into SIMD instructions. In these cases, the efficiency of the SIMD instructions may be less than the code generated by the conventional method because of the cost of data transmission between memory and vector registers. We can solve this problem by a preliminary check and setting a threshold to trigger the SIMD instruction synthesis.

VI. CONCLUSION

In this paper, PHCG is proposed to optimize the code generation of Simulink models with SIMD instruction synthesis, especially for the increasingly widely-used computing-sensitive models that contain intensive computing actors, batch computing actors and parallelizable actors. More specifically, isomorphic subgraph merging is used to parallelize actors as much as possible; adaptive pre-calculation on input scales is used to mitigate the performance variance of intensive computing actors on different scenarios; and the largest graph mapping based SIMD instruction selection is used to generate the optimal implementations of batch computing actors. Experiments show that PHCG can perform well on benchmark Simulink models. The code generated by PHCG will reduce the execution time by 38.9%-92.9% and 41.2%-76.8% in terms of different compilers and architectures, compared to the built-in Simulink Coder and DFSynth, respectively.

VII. ACKNOWLEDGMENT

This research is sponsored in part by the NSFC Program (No. 62022046, 92167101, U1911401, 62021002, 62192730), National Key Research and Development Project (No. 2019YFB1706203, No2021QY0604) and MIIT Project (Design of intelligent networked vehicle based on SOA central control).

REFERENCES

- [1] Z. Su, Z. Yu, D. Wang, Y. Yang, Y. Jiang, R. Wang, W. Chang, and J. Sun, "Hcg: Optimizing embedded code generation of simulink with simd instruction synthesis," in *2022 59th ACM/IEEE Design Automation Conference (DAC)*. ACM, 2022.
- [2] F. Pasic, "Model-driven development of condition monitoring software," in *Proceedings of the 21st ACM/IEEE International Conference on Model Driven Engineering Languages and Systems: Companion Proceedings*. ACM, 2018, pp. 162–167.
- [3] F. Rademacher, J. Sorgalla, S. Sachweh, and A. Zündorf, "A model-driven workflow for distributed microservice development," in *Proceedings of the 34th ACM/SIGAPP Symposium on Applied Computing*. ACM, 2019, pp. 1260–1262.
- [4] H. Ergin, W. Shi, H. D. Nurue, and J. Gray, "A model-driven alternative to programming in blocks using rule-based transformations," in *Proceedings of the 23rd ACM/IEEE International Conference on Model Driven Engineering Languages and Systems*, ser. MODELS '20. New York, NY, USA: Association for Computing Machinery, 2020, p. 377–383.
- [5] T. Z. Asici, B. Karaduman, R. Eslampanah, M. Challenger, J. Denil, and H. Vangheluwe, "Applying model driven engineering techniques to the development of contiki-based iot systems," in *Proceedings of the 1st International Workshop on Software Engineering Research & Practices for the Internet of Things*. IEEE Press, 2019, pp. 25–32.
- [6] Simulink and Matlab, *Simulink Documentation*. [Online]. Available: <https://www.mathworks.com/help/simulink/index.html>
- [7] C. M. Sosa-Reyna, E. Tello-Leal, and D. Lara-Alabazares, "Methodology for the model-driven development of service oriented iot applications," *Journal of Systems Architecture*, vol. 90, pp. 15–22, 2018.
- [8] Simulink and Matlab, *Simulink Documentation*. [Online]. Available: <https://www.mathworks.com/solutions/embedded-code-generation.html>
- [9] Z. Su, D. Wang, Y. Yang, Y. Jiang, W. Chang, L. Fang, W. Li, and J. Sun, "Code synthesis for dataflow based embedded software design," *IEEE Transactions on Computer-Aided Design of Integrated Circuits and Systems*, 2021.
- [10] M. Frigo and S. G. Johnson, "Fftw: An adaptive software architecture for the fft," in *Proceedings of the 1998 IEEE International Conference on Acoustics, Speech and Signal Processing, ICASSP'98 (Cat. No. 98CH36181)*, vol. 3. IEEE, 1998, pp. 1381–1384.
- [11] J. Bilmes, K. Asanovic, C.-W. Chin, and J. Demmel, "Optimizing matrix multiply using phipac: a portable, high-performance, ansi c coding methodology," in *ACM International Conference on Supercomputing 25th Anniversary Volume*, 1997, pp. 253–260.
- [12] A. Developer, "Arm neon technology." [Online]. Available: <https://developer.arm.com/architectures/instruction-sets/simd-isas/neon>
- [13] I. Developer, "Intel@ intrinsics guide," 2021. [Online]. Available: <https://www.intel.com/content/www/us/en/docs/intrinsics-guide/index.html>
- [14] D. A. Patterson and J. L. Hennessy, *Computer Architecture: A Quantitative Approach*. San Francisco, CA, USA: Morgan Kaufmann Publishers Inc., 1990.
- [15] J. Buck, S. Ha, E. A. Lee, and D. G. Messerschmitt, "Ptolemy: A framework for simulating and prototyping heterogeneous systems," in *Readings in Hardware/Software Co-Design*, ser. Systems on Silicon, G. De Micheli, R. Ernst, and W. Wolf, Eds. San Francisco: Morgan Kaufmann, 2002, pp. 527–543.
- [16] P. Le Guernic, J.-P. Talpin, and J.-C. Le Lann, "Polychrony for system design," *Journal of Circuits, Systems, and Computers*, vol. 12, no. 03, pp. 261–303, 2003.
- [17] G. Berry, "Scade: Synchronous design and validation of embedded control software," in *Next Generation Design and Verification Methodologies for Distributed Embedded Control Systems*. Springer, 2007, pp. 19–33.
- [18] G. Zhou, M.-K. Leung, and E. A. Lee, "A code generation framework for actor-oriented models with partial evaluation," in *International Conference on Embedded Software and Systems*. Springer, 2007, pp. 193–206.
- [19] S. Tripakis, D. Bui, M. Geilen, B. Rodiers, and E. A. Lee, "Compositionality in synchronous data flow: Modular code generation from hierarchical sdf graphs," *ACM Transactions on Embedded Computing Systems (TECS)*, vol. 12, no. 3, pp. 1–26, 2013.
- [20] T. Bress, *Effective LabVIEW Programming: (* new file uploaded 02/19/15)*. Nts Press, 2013.
- [21] K. Jahed and J. Dingel, "Enabling model-driven software development tools for the internet of things," in *Proceedings of the 11th International Workshop on Modelling in Software Engineerings*. IEEE Press, 2019, pp. 93–99.
- [22] Y. Jiang, H. Song, Y. Yang, H. Liu, M. Gu, Y. Guan, J. Sun, and L. Sha, "Dependable model-driven development of cps: From stateflow simulation to verified implementation," *ACM Transactions on Cyber-Physical Systems*, vol. 3, no. 1, p. 12, 2018.
- [23] Y. Jiang, H. Zhang, H. Liu, X. Song, M. Gu, and J. Sun, "Design of mixed synchronous/asynchronous systems with multiple clocks," *IEEE Transactions on Parallel and Distributed Systems*, vol. 26, no. 8, pp. 2220–2232, 2015.
- [24] Y. Jiang, H. Zhang, H. Zhang, X. Zhao, H. Liu, C. Sun, X. Song, M. Gu, and J. Sun, "Tsmart-galsblock: A toolkit for modeling, validation, and synthesis of multi-clocked embedded systems," in *Proceedings of the 22nd ACM SIGSOFT International Symposium on Foundations of Software Engineering*, 2014, pp. 711–714.

- [25] Y. Jiang, H. Song, H. Kong, R. Wang, and L. Sha, "Safety-assured model-driven design of the multifunction vehicle bus controller," *IEEE Transactions on Intelligent Transportation Systems*, 2017.
- [26] V. I. GmbH, *DaVinci Developer*. [Online]. Available: <https://www.vector.com/us/en-us/products/solutions/autosar-classic/>
- [27] D. A. Adams, "A computation model with data flow sequencing." Stanford University, 1969.
- [28] H. Hanselmann, U. Kiffmeier, L. Koster, M. Meyer, and A. Rukgauer, "Production quality code generation from simulink block diagrams," in *Proceedings of the 1999 IEEE International Symposium on Computer Aided Control System Design*. IEEE, 1999, pp. 213–218.
- [29] H. Bourbouh, P.-L. Garoche, T. Loquen, É. Noulard, and C. Pagetti, "Cocosim, a code generation framework for control/command applications an overview of cocosim for multi-periodic discrete simulink models," in *10th European Congress on Embedded Real Time Software and Systems (ERTS 2020)*, 2020.
- [30] T. Miyazaki and E. A. Lee, "Code generation by using integer-controlled dataflow graph," in *1997 IEEE International Conference on Acoustics, Speech, and Signal Processing*, vol. 1. IEEE, 1997, pp. 703–706.
- [31] H. Zhang, Y. Jiang, H. Liu, M. Gu, and J. Sun, "Tsmart-bipex: An integrated graphical design toolkit for software systems." in *D&P@MoDELS*, 2016, pp. 32–39.
- [32] Z. Su, D. Wang, Y. Yang, Z. Yu, W. Chang, W. Li, A. Cui, Y. Jiang, and J. Sun, "Mdd: A unified model-driven design framework for embedded control software," *IEEE Transactions on Computer-Aided Design of Integrated Circuits and Systems*, 2021.
- [33] P. Erdős and G. Szekeres, "A combinatorial problem in geometry," *Compositio mathematica*, vol. 2, pp. 463–470, 1935.
- [34] I. M. Bomze, M. Budinich, P. M. Pardalos, and M. Pelillo, "The maximum clique problem," in *Handbook of combinatorial optimization*. Springer, 1999, pp. 1–74.
- [35] C. Bron and J. Kerbosch, "Algorithm 457: finding all cliques of an undirected graph," *Communications of the ACM*, vol. 16, no. 9, pp. 575–577, 1973.
- [36] G. team, *Auto-vectorization in GCC*. [Online]. Available: <https://gcc.gnu.org/projects/tree-ssa/vectorization.html>
- [37] R. Allen and K. Kennedy, *Optimizing compilers for modern architectures: a dependence-based approach*. Taylor & Francis US, 2002.
- [38] S. Larsen and S. Amarasinghe, "Exploiting superword level parallelism with multimedia instruction sets," *Acm Sigplan Notices*, vol. 35, no. 5, pp. 145–156, 2000.
- [39] V. Porpodas, "Supergraph-slp auto-vectorization," in *2017 26th International Conference on Parallel Architectures and Compilation Techniques (PACT)*. IEEE, 2017, pp. 330–342.
- [40] J. G. Feng, Y. P. He, and Q. M. Tao, "Evaluation of compilers' capability of automatic vectorization based on source code analysis," *Scientific Programming*, vol. 2021, 2021.
- [41] S. Nagaraju Mekala, "An evaluation of vectorizing compilers," *evaluation*, vol. 3, no. 4, pp. 1298–1311, 2013.